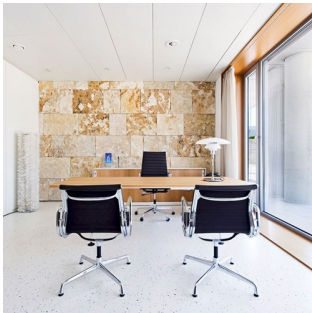


# PH 4½-3½ Glass Table

PH 4½-3½ Glass Table - 5744161501

The fixture is designed based on the principle of a reflective three-shade system, which directs the majority of the light downwards. The shades are made of mouth-blown opal three-layer glass, which is glossy on top and sandblasted matt on the underside, giving a soft and diffuse light distribution.



**American Heart  
Institute**



**Sydbank**

## Product info

### Mounting

Cable type: Plastic cord with plug. Cable length: 2.7m. Light control: Switch in lamp stand.

### Finish

High lustre chrome plated. White opal glass.

### Materials

Shades: Mouth-blown white opal glass. Anti glare ring: Purple, spun aluminium. Top plate: High lustre chrome plated, spun brass. Base: High lustre chrome plated, spun brass. Stem: High lustre chrome plated, steel.

### Sizes and weights

Width x Height x Length (mm) | 450 x 550 x 450 Max 9.3 kg

### Class

Ingress protection IP20. Electric shock protection II w/o ground.

### Specification notes

The innovation of light sources is ongoing. Consequently we only inform about the max. wattages. On [www.louispoulsen.com](http://www.louispoulsen.com) we update a list of recommendable light sources.

### Light source

1x100W E27



## Product family



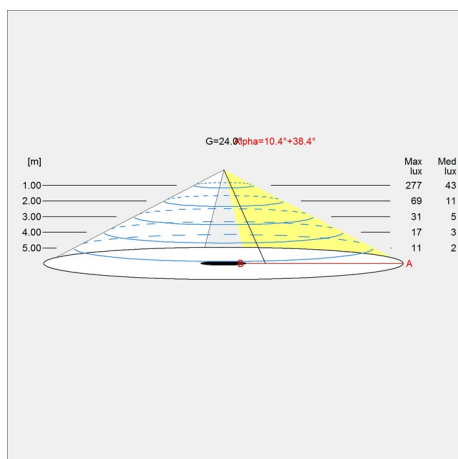
PH 4½-4 Glass Pendant



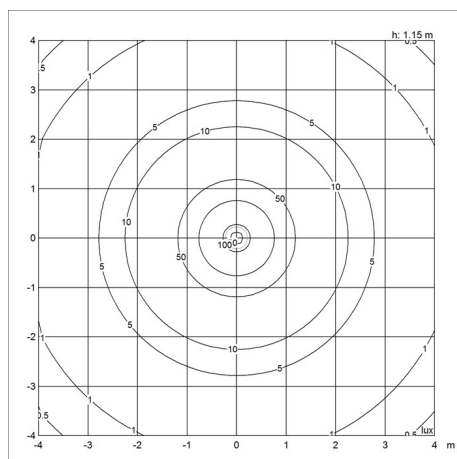
PH 4½-3½ Glass Floor

# Light distribution diagrams

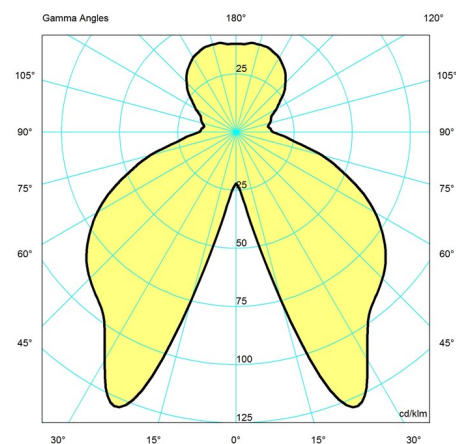
## Cartesian



## Isolux



## Polar



## Spare parts & accessories

### Product

Finger screw SS M3X12 (3pcs) lower  
 PH 4½-3½ glass Table/Floor middle shade  
 PH 4½-3½ glass Table/Floor lower shade  
 PH 4½-3½ glass Table/Floor topshade acc  
 Finger screw SS M3X16 (3pcs) middle

### Variant number

5744610528  
 5744610612  
 5744610625  
 5744610722  
 5744610845

## Data specifications

Colour	High lustre chrome plated	Length	450
Width	450	Height	550
Built-in Height	-	IP class	20
Class	II	Net Weight	9.3
Standby (W)	-	Power Factor (P = 100 % / P = 50 %)	-
Inrush Current	-	Light source	1x100W E27

**PH 4½-3½ Glass Table**

Kelvin	-
SDCM	-
Watt	-
Light control	-
UGR Transversal / Axial	<b>14.4/14.4</b>
Driver life	-

CRI	-
Lumen	-
Efficacy	-
Min. Dim Level (%)	-
L80B50 (hours)	-